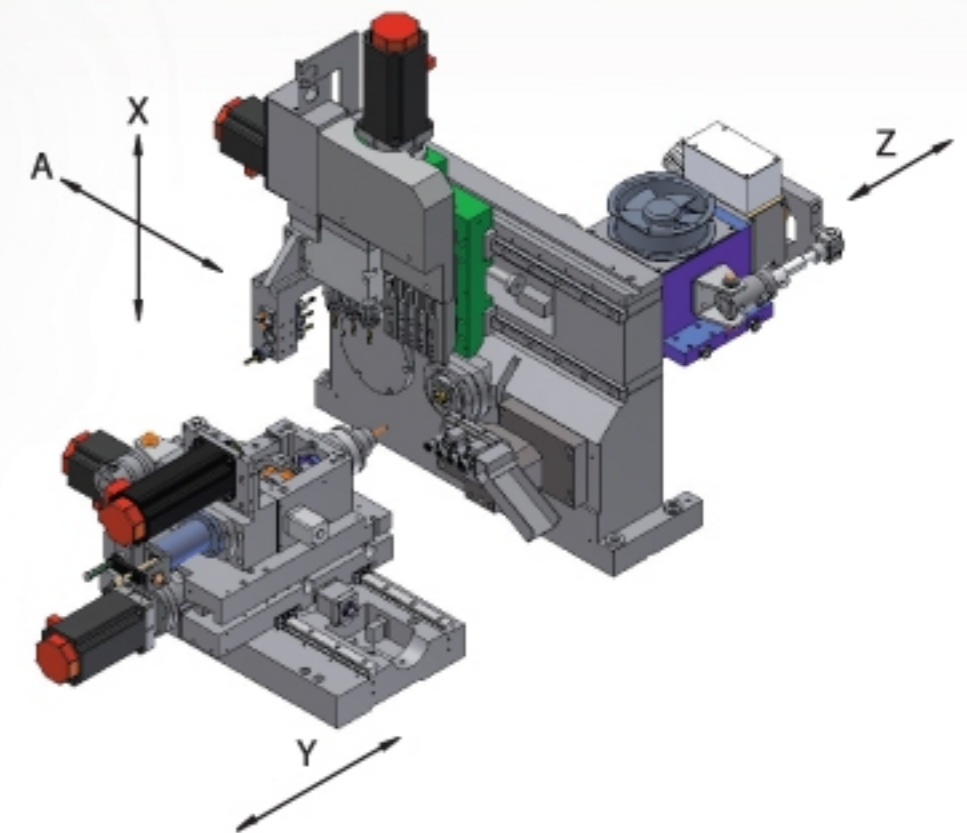


Hanwha

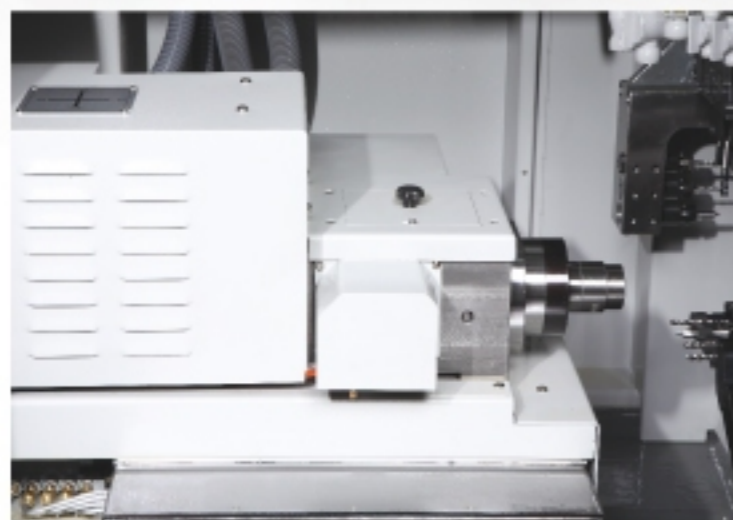
High speed & precision CNC SWISS TURN XD12H

Special feature

- Ultra speed CNC SWISS-TURN LATHE designed for universal and precise machining.
- Bigger bed enough for easy tooling and high rigidity.
- Built-in motor on main spindle for high precision and high speed.



Spacious tooling area



- Comfortable operation and tooling
- Safe working environment
- Extreme customer satisfaction

Increased productivity by use of various tooling capacities



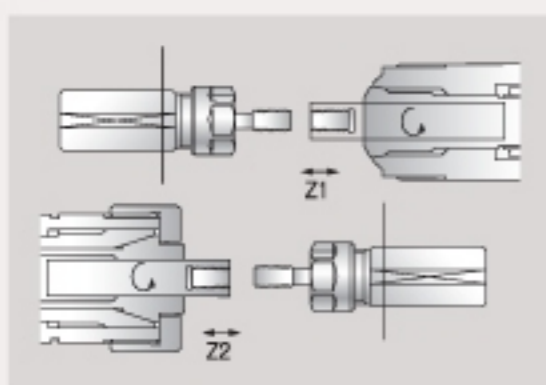
- Structured to enable shortened cycle time & increase productivity
- Maximum of usage stations

More Stable Headstock Design

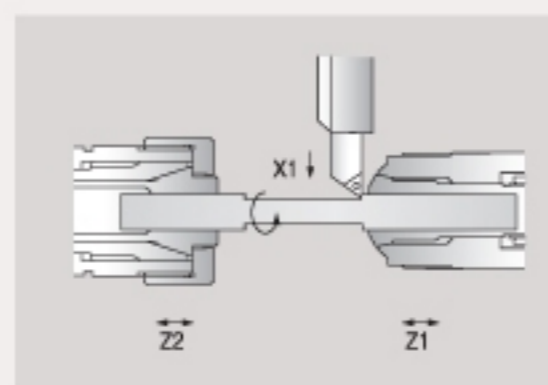


- Built-in motor enabling high accuracy and power
- Keeping low noise and temperature

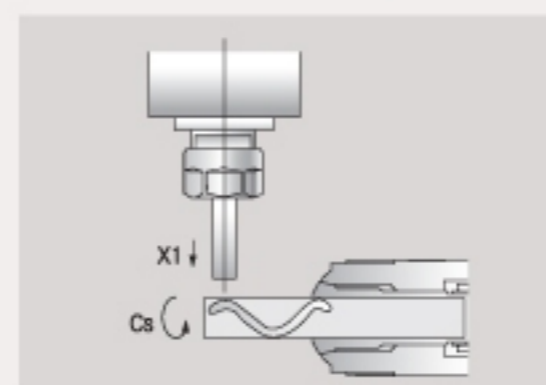
Rigid tap



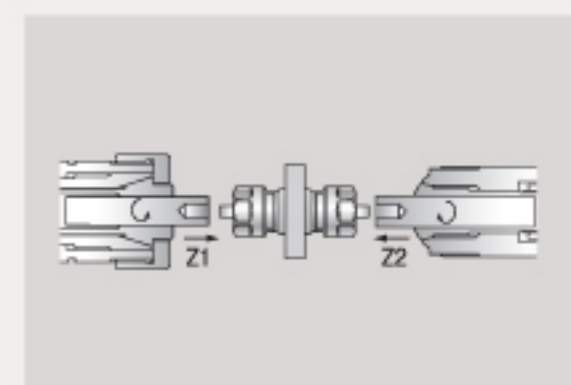
Synchronous



Cs Contouring



Simultaneous



Machine & NC unit

Description		XD12H
Machine	Max.rpm	main 15,000RPM
	Max.turning diameter	Ø20
	Stroke	140mm
	Additional positive brake	1° increments
Tooling	O.D tools	6
	Front work tools	3
	Back work tools	4
	Cross tools	3
Motors	Main spindle	1.5/2.2kW
	Sub spindle	0.55/1.1kW
	Cross unit	0.5kW
	Servo	0.75kW
	Coolant pump	0.25kW
NC	Type	FANUC 18iTB
	Axes designations	5Axes
	Min.motion increment	0.001mm
	LCD/M	LCD 10.4" MONO
Others	Power consumption	6kW
	Coolant tank capacity	140 ℓ
	Lubrication tank capacity	0.8 ℓ
	Weight	2,300KG

Standard

- Rotary guide bush holder unit
- Full st. synchronous guide bushing
- Cross drill unit (3 spindle)
- 1° indexing on Main
- Coolant unit
- Parts receiver
- Safty door lock
- Rigid tapping on main spindle
- Single point threading
- Decimal point input
- Manual jog feed
- Automatic power off function

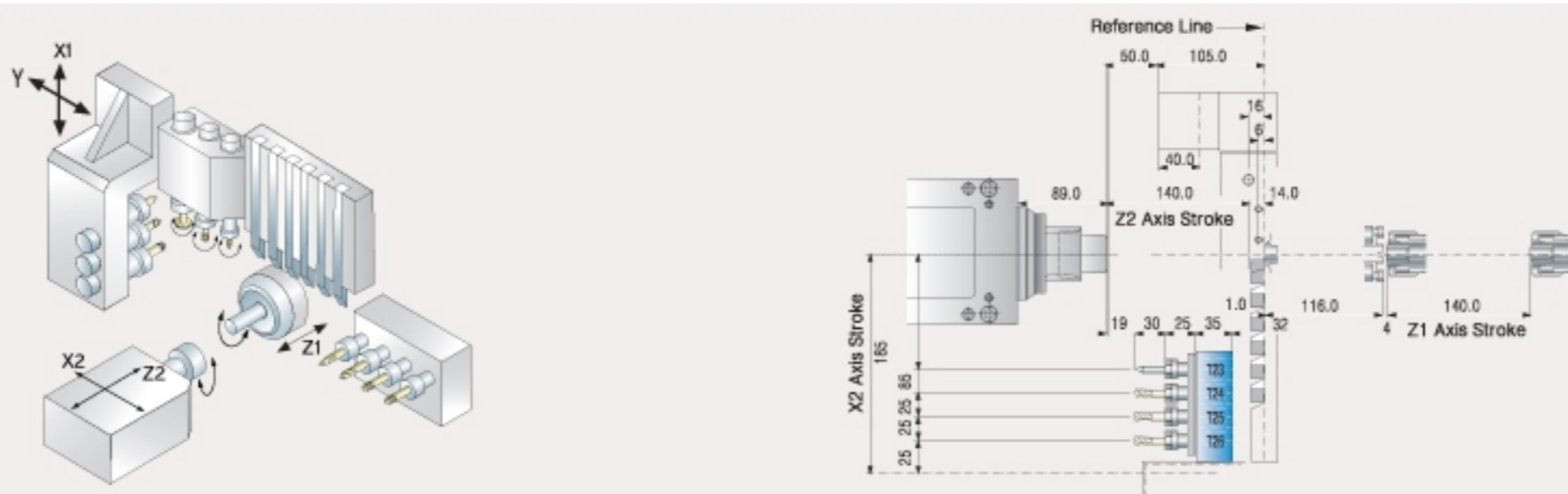
Optional Accessories

- Fixed guide bush holder unit
- Stationary guide bushing
- High power coolant motor
- Parts conveyor
- Chip conveyor
- Pipe type long parts ejection unit
- Air blow by M code
- Cut - off tool breakage detector
- Transfomer
- 2years Fanuc warranty

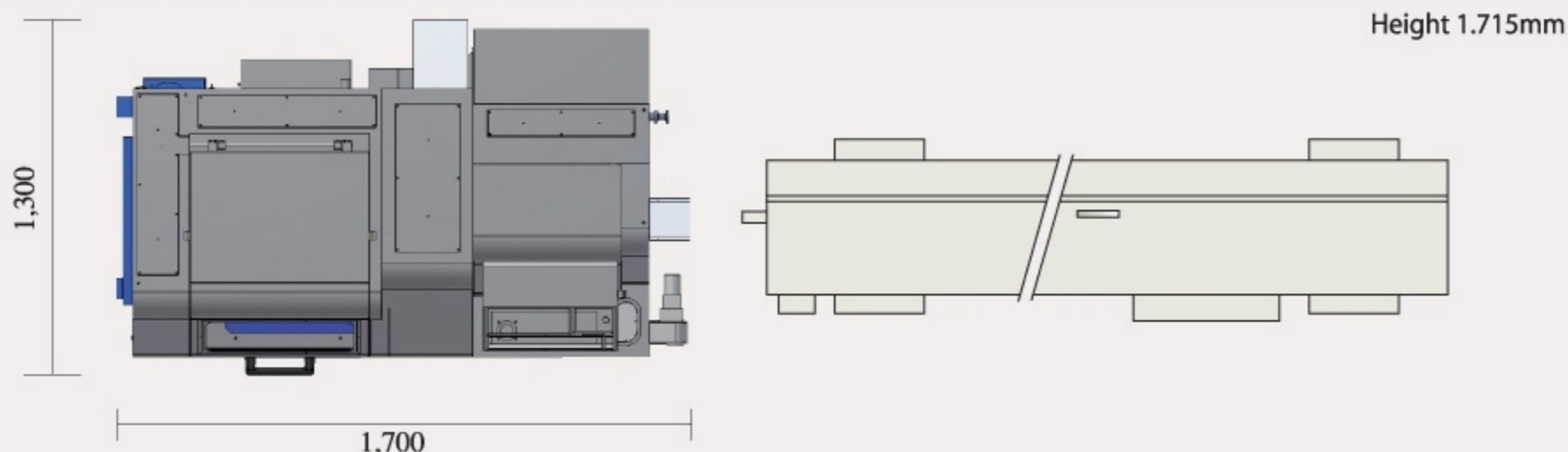


All specifications are subject to change without notice

XD12H



Dimensions



Machine Tools Division
Http://www.hanwhatechm.co.kr
E-mail : mtinfo@hanwha.co.kr

HEAD OFFICE & PLANT
59, SUNGSAN-DONG, CHANGWON CITY
KYUNGNAM PROVINCE, KOREA 641-315
TEL : +82 - 55 - 280 - 4670 / 4676 / 4678
FAX : +82 - 55 - 280 - 8997