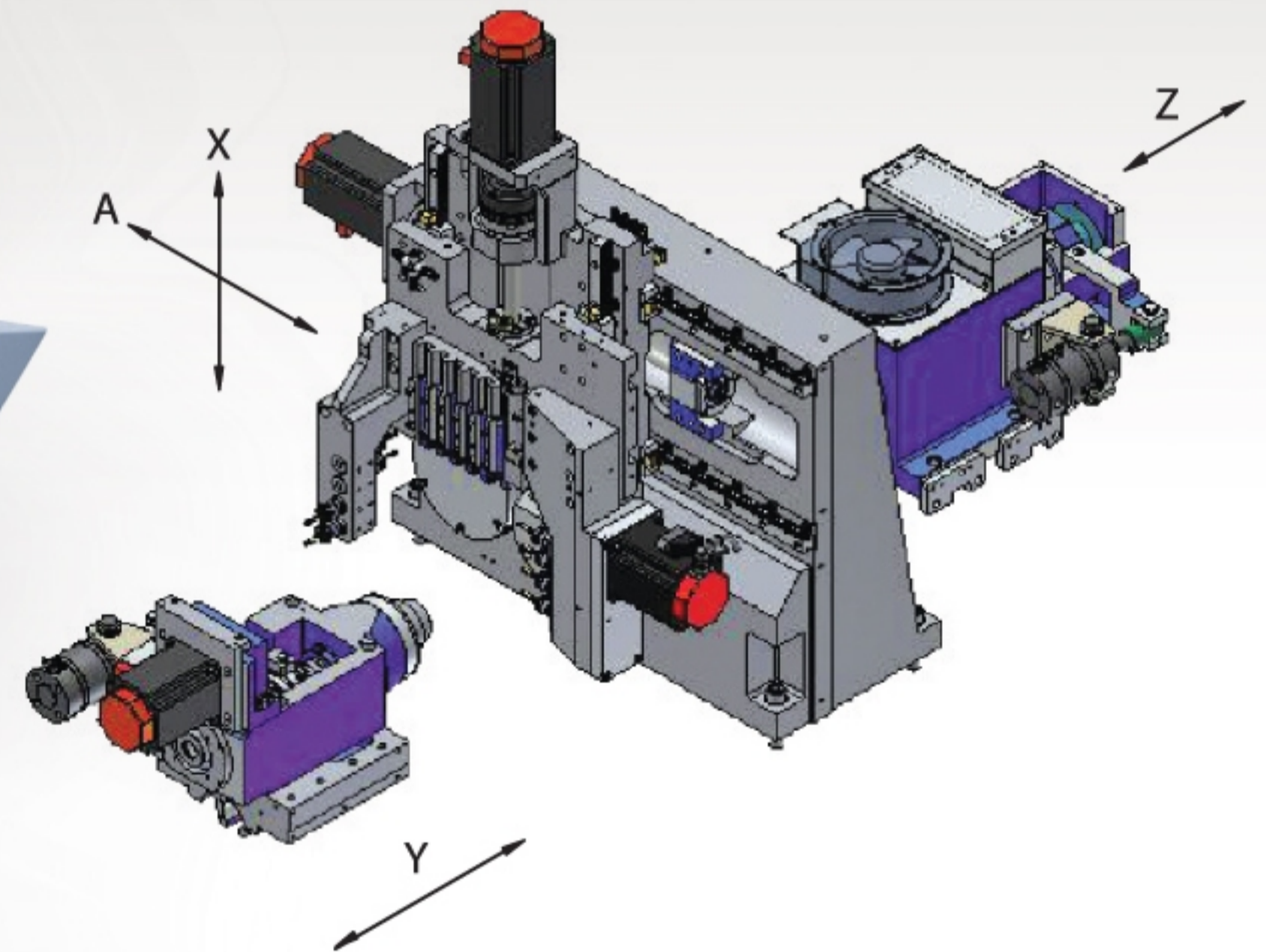


Hanwha

NEW CNC SWISS TURN XP20/20S

Special feature

- Designed for minimal space usage
- Maximum of 18 tool stations, exceeding that of others in its class
- Built-in spindle motor for high precision and high speed
- Bed design for ease of chip discharging & coolant flow

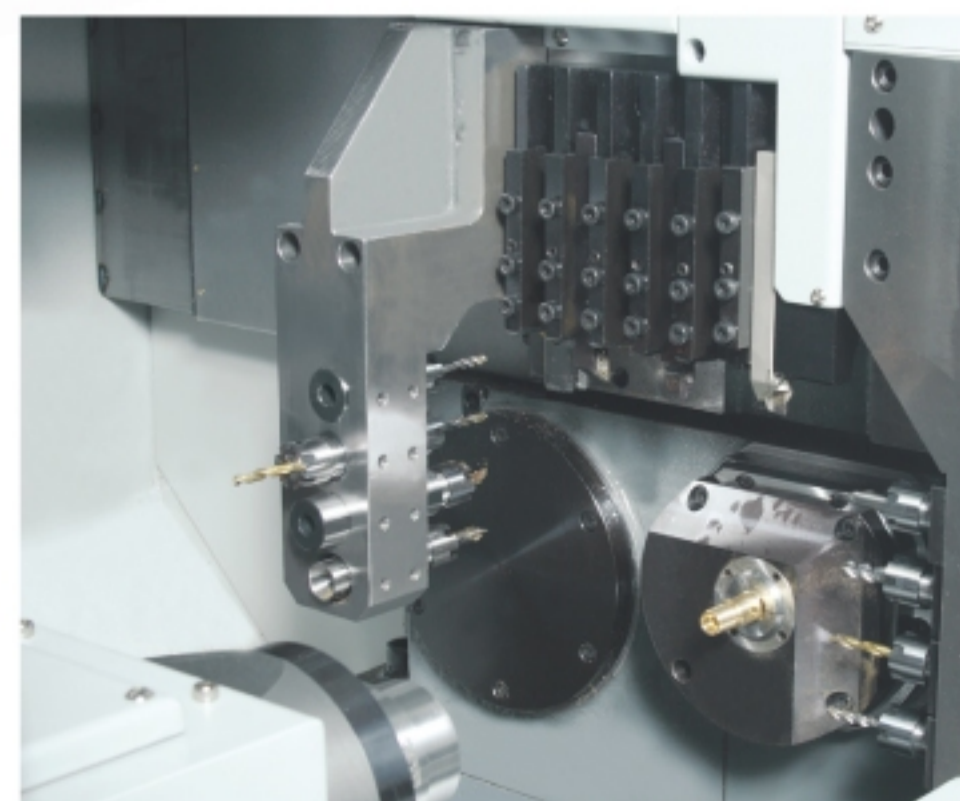


Multi-positional operator pannel



- Multi-positional operator pannel for ease of tooling & programming
- NC system that allows the operator to review programs during the machining cycle

Increasing productivity by use of various tooling capacities



- Structured to enable shortened cycle time & increase productivity
- Maximum of 18,500 stations
- Better space use by perpendicular allocation of cross drill units

Compact design to minimize floor space



- Rounded and elegant cover design
- Compact design to optimize the usage of space(1,950X1,140X1,715)

Machine & NC unit

Description	XP20	XP20S	
Machine	Max.rpm	main 10,000RPM	main 10,000RPM/sub 6,000RPM
	Max.turning diameter	Ø20	
	Stroke	210mm	
	Additional positive brake	main 15°	
Tooling	O.D tools	6	
	Front work tools	4(4)	
	Cross tools(driven)	4(4)	
Motors	Main spindle	2.2/3.7kW	
	Sub spindle	-	1.0kW
	Cross unit	1.0kW	
	Servo	0.75kW	
	Coolant pump	0.25kW	
NC	Type	FANUC OiTT-C	
	Axes designations	3Axes	4Axes
	Min.motion increment	0.001mm	
	LCD/M	LCD 7.2" MONO	
Others	Power consumption	10KVA	
	Coolant tank capacity	160 ℓ	
	Lubrication tank capacity	1.8 ℓ	
	Weight	2,150KG	2,300KG

Standard

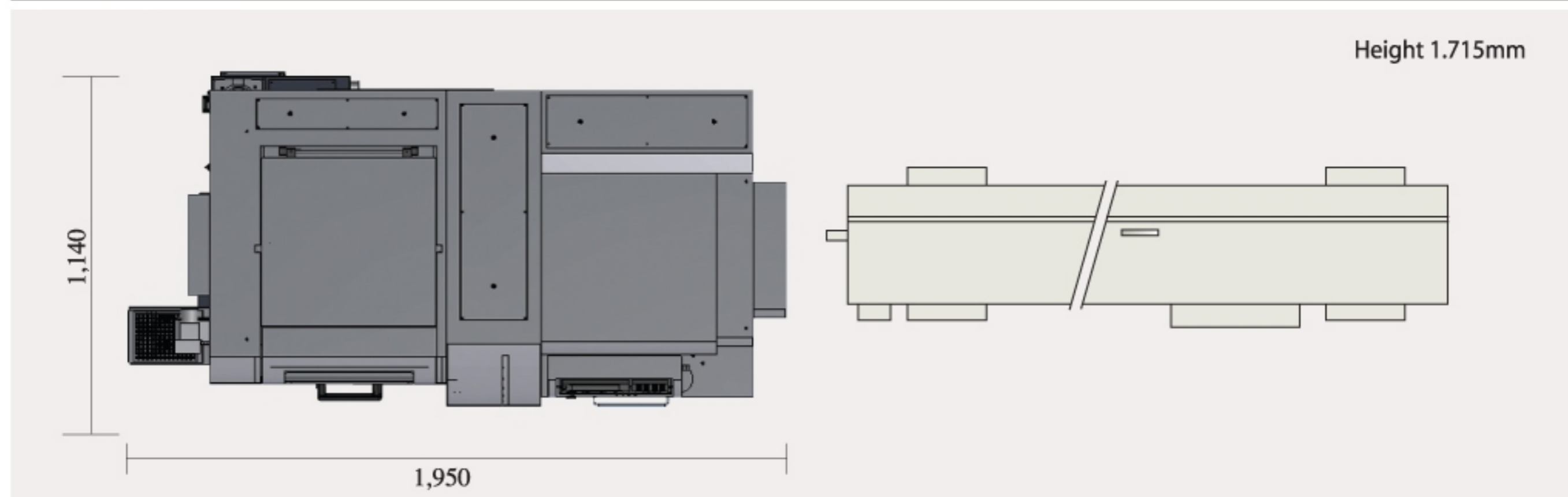
- Cross Drilling/Milling unit 4EA
- 15° indexing unit
- Main rigid tap
- Door lock
- Coolant level sensor
- ER Collet
- Chuck, guide bush
- Front/Back Drilling unit(4EA/4EA)
- Rotary guide bush holder unit
- Cs contouring on main

Optional Accessories

- Parts conveyor
- 15° indexing unit
- Fixed guide bush holder unit
- Pendant type MPG
- Coolant flow sensor
- Barfeeder
- Chip conveyor
- M code air blow
- Cut-off tool breakage detector
- Tap breakage detector
- Pipe type ejection unit
- Middle pressure coolant pump
- High pressure coolant pump
- Transformer
- 2 years NC warranty
- Automatic fire extinguisher

All specifications are subject to change without notice

Dimensions



Machine Tools Division
[Http://www.hanwhatechm.co.kr](http://www.hanwhatechm.co.kr)
 E-mail : mtinfo@hanwha.co.kr

HEAD OFFICE & PLANT
 59, SUNGSAN-DONG, CHANGWON CITY
 KYUNGNAM PROVINCE, KOREA 641-315
 TEL : +82 - 55 - 280 - 4670 / 4676 / 4678
 FAX : +82 - 55 - 280 - 8997